

ITA-1711

Intel® Celeron™ J1900 Fanless Compact System with Multiple COM Ports and Dual Displays



Features

- Built-in Intel® Celeron™ J1900 quad-core processor, 2.0 GHz
- Fanless, compact system design
- 4 GB of DDR3 memory onboard with optional NVRAM
- 2 x LAN, 6 x USB, 14 x COM, and 1 x USB 3.0 ports
- Replaceable secondary display (VGA 2/DVI-D/LVDS)
- Supports dual outputs of full HD resolution video
- Serial ports support RS-232/422/485 with automatic flow control
- Supports up to 48 digital I/O (24 inputs and 24 outputs)

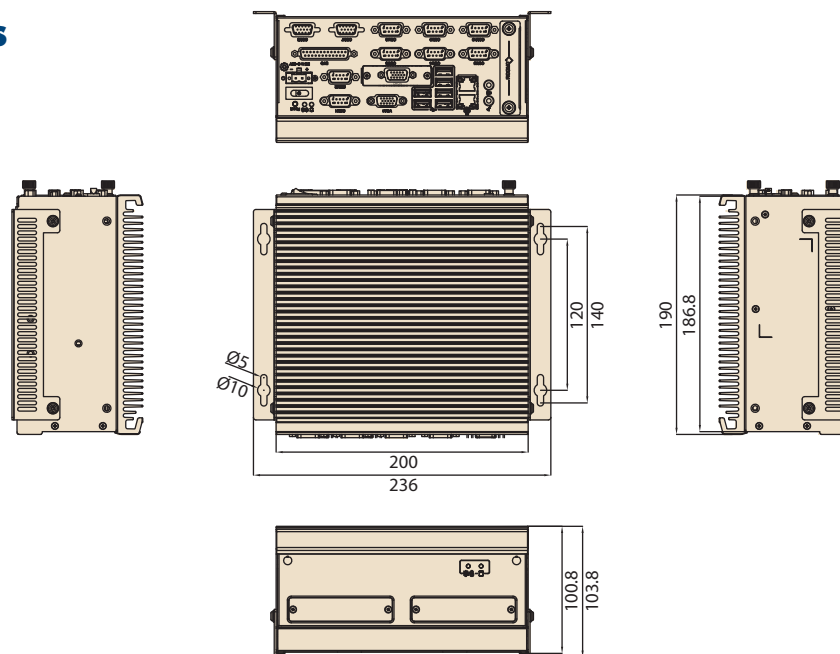


System Specifications

| | | | | |
|-----------------------------|--|---|---------------------|----------------------|
| Processor System | CPU | Intel® Celeron™ J1900 | | |
| | Max Speed | 2.0 GHz | | |
| | L2 Cache | 2 MB | | |
| | Core Quantity | 4 | | |
| | BIOS | AMI® SPI 64 Mb | | |
| Memory | Technology | Dual-channel DDR3 1333 | | |
| | Capacity | Onboard 4 GB (up to 8 GB with SODIMM) | | |
| Graphics | Chipset | Embedded Intel® Gen 7 Graphics | | |
| | VRAM | Shared system memory up to 256 MB SDRAM | | |
| | Dual Display | 2 x VGA/VGA + DVI-D/VGA + LVDS | | |
| | | Single channel maximum: 1920 x 1080 @ 60 Hz Dual channel maximum: 1920 x 1080 @ 60 Hz | | |
| LVDS (optional) | Supports 18/24-bit dual channel, up to 1920 x 1080 @ 60 Hz | | | |
| Ethernet | Interface | 10/100/1000 Mbps | | |
| | Controller | 2 x Intel® I211 | | |
| | Connector | 2 x RJ-45 | | |
| Storage | NVRAM | 1 Mb FRAM (optional) | | |
| | Internal | 1 x mSATA socket Supports 1 x 2.5" HDD/SSD (optional) | | |
| | External | 1 x Easy swap SATA slim/CompactFlash module | | |
| I/O Interface | Main Display | VGA 1 | | |
| | Secondary Display | VGA 2/DVI-D/LVDS | | |
| | LAN | 2 | | |
| | USB | 6 (5 x USB 2.0, 1 x USB 3.0) | | |
| | COM | 10 x RS 232/422/485 ports with automatic flow control (up to 14 ports, supports 4 additional optional RS-232 serial ports) | | |
| | Digital I/O | 1 x 24-bit GPIO (48-bit GPIO optional) | | |
| | Audio | 1 x Speaker-out with 2 x 4W amplifier, 1 x Mic-in | | |
| Reserved Area (front panel) | 1 (LPT, DIO2, PS/2 optional) | | | |
| Expansion Slots | Mini PCIe | 1 | | |
| Power | Input Voltage | 9 ~ 36 V DC | | |
| | Output | System reset | | |
| Watchdog Timer | Interval | Programmable 1~255 sec/min | | |
| | Environment | Temperature | Operating (w/o HDD) | Operating (with HDD) |
| -25 ~ 60 °C | | | 0 ~ 40 °C | -40 ~ 85 °C |
| Physical Characteristics | Dimensions (W x H x D) | 200 x 100.8 x 190 mm (7.87" x 3.96" x 7.47")/236 x 103.8 x 190 mm (9.28" x 4.08" x 7.47") with mounting kits | | |

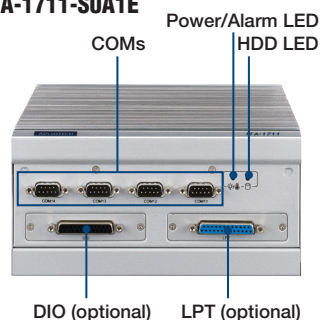
Dimensions

Unit: mm

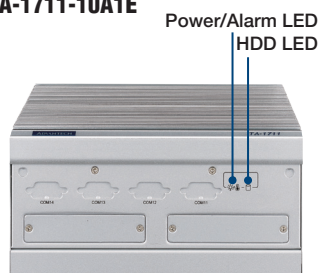


Front View

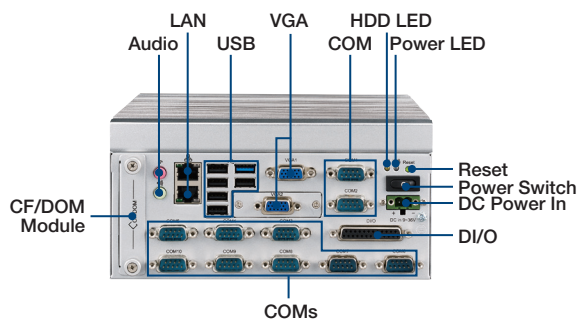
ITA-1711-S0A1E



ITA-1711-10A1E



Rear View



Ordering Information

| Part Number | CPU | Onboard Memory | Display | COM | D/O | GbE LAN | USB | CF Tray |
|----------------|-------|----------------|----------|-----|--------|---------|-----|---------|
| ITA-1711-00A1E | J1900 | 4 GB DDR3 | VGA+DVI | 10 | 24 bit | 2 | 6 | Yes |
| ITA-1711-10A1E | J1900 | 4 GB DDR3 | VGA*2 | 10 | 24 bit | 2 | 6 | Yes |
| ITA-1711-20A1E | J1900 | 4 GB DDR3 | VGA+LVDS | 10 | 24 bit | 2 | 6 | Yes |
| ITA-1711-S0A1E | J1900 | 4 GB DDR3 | VGA+DVI | 14 | 48 bit | 2 | 6 | Yes |

Packing List

| Part Number | Description | Quantity |
|----------------|--------------------|----------|
| 2001171100 | Startup menu (CH) | 1 |
| 2001171110 | Startup menu (CH) | 1 |
| 2062171010 | CD-ROM | 1 |
| 1960054855N001 | HDD bracket part 1 | 1 |
| 1960065108N001 | HDD bracket part 2 | 1 |
| 1700009409 | HDD SATA cable | 1 |
| 1700017839 | HDD power cable | 1 |
| 1990021361N000 | HDD thermal pad 1 | 1 |
| 1990021362N000 | HDD thermal pad 2 | 1 |
| 1960052263T001 | Mounting bracket | 2 |
| 1652002205 | Plug-in connector | 1 |

Optional Accessories

| Part Number | Description |
|------------------|--|
| PCA-5650-00A1E | Mini PCIe VGA card |
| 96PSA-A60W12P2-1 | Adapter 100-240V 60W 12V |
| 1700000596-11 | Power cord (China) CCC, 10A 250V, 3P, 1.83 M |
| 1702002600-01 | Power cord UL/CSA (USA) 125V 10A, 3P, 1.83 M |
| 1700018704 | Power Cord BSI 2P 10A 250V 180cm |
| 1702002605-01 | Power cord (EU) 10A/16A, 250V, 3P, 1.83 M |
| 1700020061-11 | PS/2 Cable (front panel) |
| 1960057419N011 | DI/O bracket (front panel) |
| 1960057419N001 | LPT bracket (front panel) |
| 1960057418N001 | VGA bracket (front panel) |